

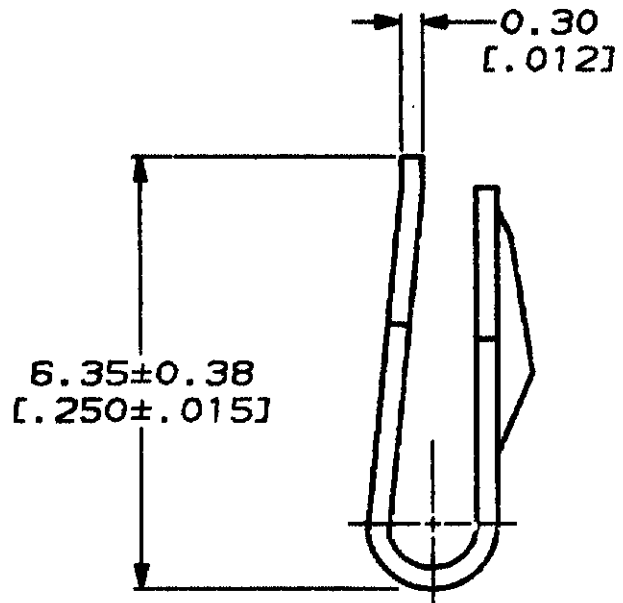
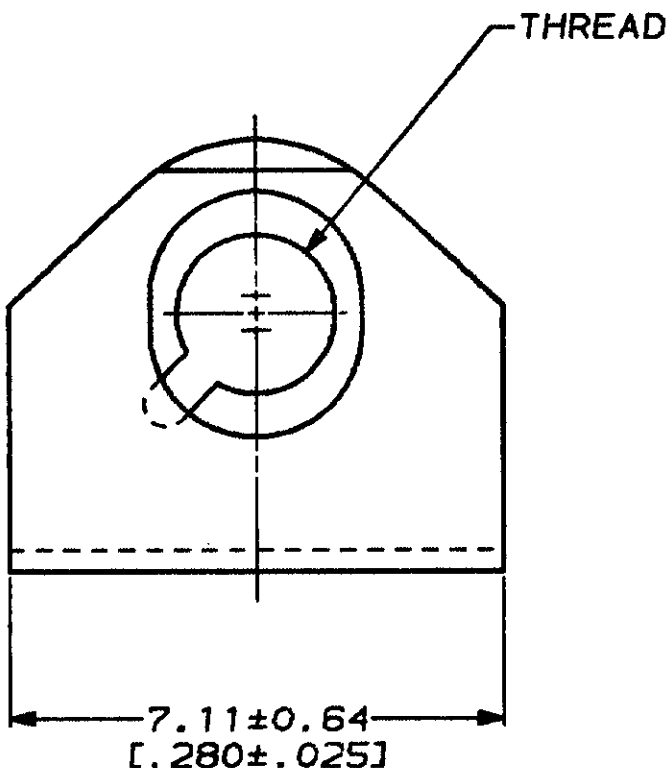
THIS DRAWING IS UNPUBLISHED. RELEASED FOR PUBLICATION, 19

© COPYRIGHT 19 BY AMP INCORPORATED. ALL INTERNATIONAL RIGHTS RESERVED.

MOD	LOC	DIST
8	BD	39

REVISIONS				
ZONE	LTR	DESCRIPTION	DATE	APPD
✓	B	REDRAWN & REV PER ECN BD4276	12/10/80	-

△ STAINLESS STEEL PER ASTM A666.



M3 X 0.5	748274-4
4-40	748274-2
THREAD	PART NO

DO NOT SCALE PRINT.  
UNLESS SPECIFIED  
DIMENSIONS IN MM (INCHES)  
TOLERANCES ON:  
2 PLC DEC \* 0.13 (.005)  
3 PLC DEC \* -  
ANGLES \* -

DR 12/10/80  
B. NOYER  
CHK J. Mellish 1-3-91  
APPD [Signature] 1/14/91  
APPD [Signature] 1/14/91  
PRODUCT SPEC

**AMP** AMP Incorporated  
Harrisburg, PA 17105-3608

NAME  
**SCREW RETAINER CLIP, AMPLIMITE™**

MATERIAL △  
FINISH -  
WEIGHT -

SIZE	CAGE CODE	DRAWING NO
B	00779	748274
SCALE	SHEET	
10:1	1 OF 1	